

inepro Wa, Inepro Metering BV
(supplier's name)

Pondweg 7
2153 PK Nieuw-Vennep
The Netherlands
(supplier's address)

CE

declare under our sole responsibility that the products:
6280
Single module DIN rail Watt Hour Meter
(Name, type or model, batch or serial number, possibly source and number of items)

This declaration of Conformity is suitable to which this declaration relates in conformity with the following European harmonized and published standards at date of this declaration:
IEC EN 50470
(The and/or number and date of issue of the applied standards(s))

Following the provisions of the Directives (if applicable):
MID-directive : 2014/32/EU
These conclusions are based on the test reports done by Cmi with report numbers : TCM221/16-5420

Nieuw-Vennep, 2016, Oktober 14
Place and date of issue

D. van der Vaart
Name of responsible for CE-marking

Declaration of Conformity

We
Inepro Metering BV
OF
Inepro Metering BV
Pondweg 7
2153 PK Nieuw-Vennep
The Netherlands

Ensure and declare that the apparatus:
6280
With the measurement range
0,25 - 5(50)A - 0,25-5(32)A - 0,25-5(45)A, 50Hz
are in conformity with the type as described in the
EC-type examination certificate TCM221/16-5420

and satisfy the appropriate requirements of the Directive 2014/32/EU.

October 14, 2016

Daan van der Vaart



DZT 6280 - 230V 5/50A (1) LCD 5+2 MID

Stromarbeitsbereich	Current range	0,25 - 5(50)A - 0,25-5(32)A - 0,25-5(45)A
Spannungsarbeitsbereich	Voltage range	230/240V AC, ±20%
Impulswertigkeit LED	Meter constant LED	2000imp/kWh
Genauigkeitsklasse	Accuracy class	B
Frequenz	Frequency	50Hz
Display	Display	LCD = 99999.99kWh
LCD Gesamtenergie	LCD Total Energy	Bezug/Forward
Arbeitstemperatur	Temperature range	-25°C to 55°C
Normen	Standards	EN50470-1/3
Eigenverbrauch	Power of consumption	≤8VA ≤0.4W
Messgröße	Measurement type	Wirkverbrauch/Active energy
Breite	Width	1TE (18mm)
Impulsausgang	Pulse output (SO)	2000imp/kWh
Impulslänge	Pulse width	80ms
Max. rel. Luftfeuchte	Max. rel. humidity	75% im Mittel/Average, kurzzeitig/Short time value 95%
LED	LED	Impulse rate=Verbrauch/Usage
Registrierte Harmonische Bereich	Registered harmonics range	50-250Hz
Max. Leiterquerschnitt (mm²)	Max. terminal wire (mm²)	12mm²

Czech Metrology Institute
Notified Body No. 1023
Okružní 31, 636 00 Brno, Czech Republic
tel: +420 545 555 111, fax: +420 545 232 720
www.cmi.cz

EU-TYPE EXAMINATION CERTIFICATE
Number: TCM 221/16 - 5420

Page 1 from 5 pages

In accordance: with Directive 2014/32/EU of the European Parliament and of the Council on the harmonisation of the Member States relating to the making available on the market of measuring instruments (implemented in Czech Republic by Government Order No. 126/2016 Coll.)

Manufacturer: Inepro Metering BV
Pondweg 7
2153 PK Nieuw-Vennep
The Netherlands

For: active electrical energy meter - 1-phase
type: DZT 6280
accuracy class A or B
temperature range: -25°C... +55°C
mechanical environment class: M1
electromagnetic environment class: E2

Valid until: 20 December 2026

Document No: 0511-CS-A044-16

Description: Essential characteristics, approved conditions and special conditions, if any, are described in this certificate.

Date of issue: 21 December 2016

Certificate approved by:
RNDr. Pavel Klemešský

This certificate was issued according to module B of the Directive 2014/32/EU of the European Parliament and of the Council (implemented in Czech Republic by Government Order No. 126/2016 Coll.)

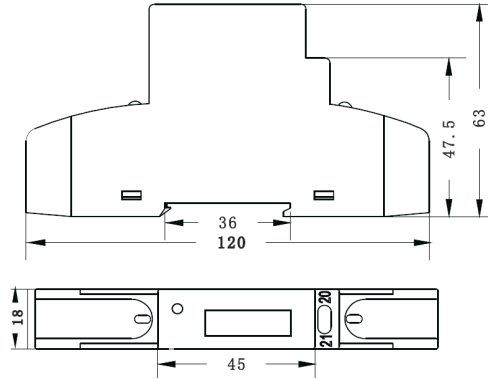
Zu Verrechnungszwecken dürfen nur Zähler mit MID- Konformitätserklärung verwendet werden.
Beispiel MID-Kennzeichnung:

CE M13 0120

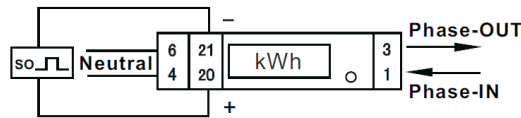
To use a meter for a billing purposes, only meters with MID-conformity declaration may be used.
Please find an example of a MID approval sign below:

CE M13 0120

Dimensions



Wiring diagram



1/3 Phase line in/out
4/6 Neutral line in/out
20/21 Pulse output contacts

Display Sequence

Display 1



kWh (5+2)

Display 2



CRC code (1)

Display 3



CRC code (2)

Display 4



Active power (kW)

Note: CRC is displayed over two LCD pages (P. 2: 4A38 – P.3: FF9B). CRC code can be different depending on the actual approved software version.

Information zu Ihrer eigenen Sicherheit und den Haftungsbedingungen	Information for your own information and exclusion of liability
Diese Kurzanleitung enthält nicht alle für die Benutzung des Messgeräts anwendbaren Sicherheitsvorschriften. Weiterhin kann es aufgrund von Unternehmensvorschriften, Landes-oder internationalen Gesetzgebungen erforderlich sein, zusätzliche Maßnahmen zu treffen. Wir haben den Inhalt dieser Anleitung überprüft und alle Anstrengungen unternommen, um sicherzustellen, dass diese Beschreibung so genau wie möglich ist. Dennoch können Abweichungen von der Beschreibung nicht ausgeschlossen werden, weshalb eine Haftung jeglicher Art für Fehler oder Unterlassungen in den dargebotenen Informationen ausgeschlossen wird.	This short manual does not contain every applicable safety regulation for using this meter. Also it might be required because of company, local government regulations or (inter)national laws to take additional measures. We have checked the contents of this manual and every effort has been made to ensure that the descriptions are as accurate as possible. However, deviations from the description cannot be completely ruled out, so that no liability can be accepted for any errors or omissions in the information given.

Qualifiziertes Personal	Qualified personnel
Die Installation und der Betrieb des in diesem Handbuch beschriebenen Gerätes darf nur durch qualifiziertes Personal erfolgen. Nur Personen, die für die Installation, den Anschluss und die Benutzung des Gerätes autorisiert wurden, sowie über entsprechenden Kenntnisse über Kennzeichnung und Erdung von Elektroinstallationen verfügen, sind hierzu gemäß den örtlichen (Sicherheits-) Vorschriften berechtigt und werden als qualifiziertes Personal im Sinne dieser Anleitung erachtet.	Installation and operation of the device described in this manual may only be performed by qualified personnel. Only people that are authorized to install, connect and use this device, who have the proper knowledge about labeling and grounding electrical equipment and circuits and can do so in accordance with local (safety) regulations, are considered qualified personnel in this manual.

Technische Unterstützung	Technical support
Falls Sie Fragen zu einem unserer Produkte haben, wenden Sie sich bitte an Ihren lokalen Anbieter	In case you have any questions about our product, please contact your local supplier.

Achtung: Gehäuse ist versiegelt, nicht öffnen! Keine Garantieansprüche bei beschädigtem Siegel oder geöffnetem Gehäuse	Attention: Case is sealed, do not open the meter! No warranty if case is opened or warranty seal is removed.

Attention: The meter should be installed indoor or in the outdoor electric meter box. The meter is intended to be installed in a Mechanical Environment 'M1', with shock and vibrations of low significance, as per 2014/32/EU Directive. The meter is intended to be installed in Electromagnetic Environment 'E2', as per 2014/32/EU Directive.